

9405C
NEW AGE



RADIOCONTROL

9405C

Ferrari

PASSION FOR LIFTING

9405C



**Extension Quick System
and Smart Extension Sequence**
Fast, precise, safe

Link on second boom
Boom negative angle allows
access to confined spaces

Link on column
Constant lifting capacity on all
main boom positions

Always stable
More than 40 stabilizer
combinations available

Endless slewing
Efficient use in all the vehicle
positions

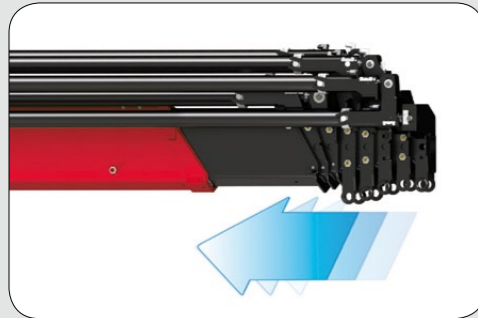
**Ergonomic control station
and user-friendly interface**
Comfortable, convenient and safe

**Break the boundaries
in performance and
safety**



Breaking through innovations

Soft Closing Retraction



The system have been specifically designed for cranes with medium to high working loads.

A new design of the piston and cylinder end allows a gentle reduction of speed in the last centimeters while retracting the extension (damping effect).

- High precision actions
- Avoids oscillation payload
- Low noise

Load stability: how the products can be lifted safely



Oscillation of the load while retracting the extensions is reduced.

User saves time not waiting for the load to stop moving.

The result is very high precision, reduction of load oscillation, and silence while the extensions are retracting.

- Reduce user workload, stress, and upload/download time
- Enhance working operational
- Direct positioning of the payload
- Heighten operation safety

Dynamic Load Diagram

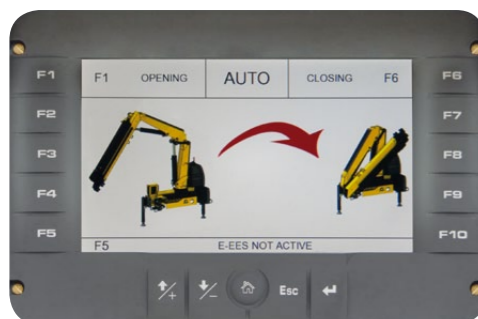


Crane lifting capacity always under control in all stabilizer positions.

After the truck has been stabilized, the operator selects the load weight to be lifted. The display shows the permitted crane outreach based on the truck stability and load selected.

- Improved efficiency
- Easy to use
- Optimised safety

Magic Touch

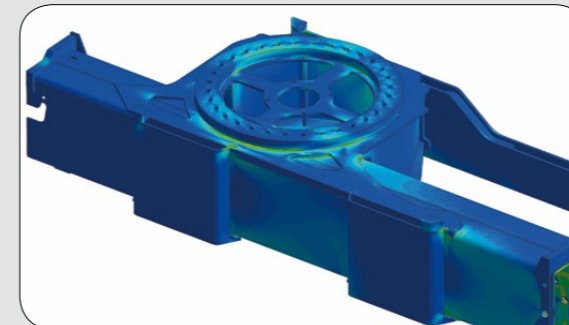


Crane Automatic folding/unfolding.

This system allows the operator to unfold the crane to a working position and fold the crane from any position to transport position by pressing a single button on the radio transmitter or display.

- Easy to start and close
- Time saving
- Increased productivity and safety

High-tech development



- Structures optimised for strength, weight and speed

Top Protection

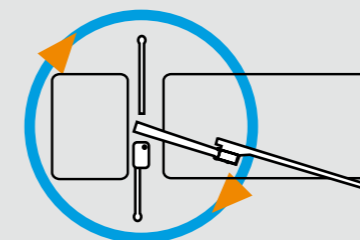


- High value retention
- Top reliability

Endless performance

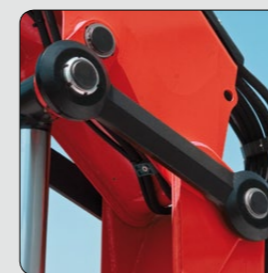
Continuous rotation and extreme flexibility

Endless slewing allows the crane to be operated without restrictions. The complete access to the working area, eliminates the need to reposition the truck, optimizing precision, productivity and safety.

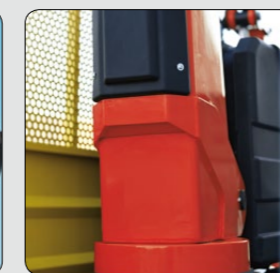


- Top efficiency
- Easy to use

Functional Aesthetic



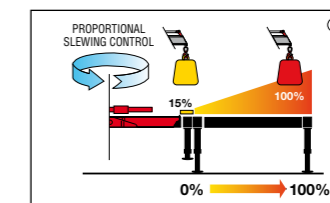
Forged double linkages on column and 2nd boom



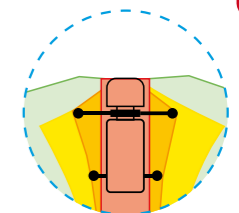
Robust column design and hoses cover

Crane control system (C€)

P - Class



- Proportional stabilizers control
- Proportional slewing control
- Truck side independent



- Stabilizer's cylinders not on the ground
- 0% stabilizer's beams and stabilizer's cylinders on the ground
- 50% stabilizer's beams and stabilizer's cylinders on the ground
- 100% stabilizer's beams and stabilizer's cylinders on the ground
- Nominal pressure

Ⓢ The percentages present in the pictures are merely examples and they have no bearing on the cranes' real lifting capacities. The cranes' real lifting capacity will depend on truck's stability.

Human machine interface

Smart Top monitor 7"



Up to 16 languages available in the software. Top choice available for the range. Data statistics and crane management, all included into a 7" TFT monitor giving to the operator a higher level of awareness of the crane.

Crane controls

LCD Remote control



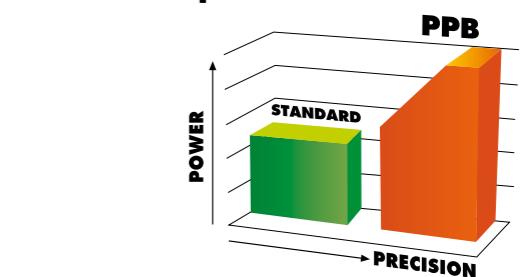
Each transmitter is equipped with 8 ergonomic proportional levers (6 for Scanreco mini) to control up to 8 functions of the crane. Using two hands, the operator can move 2-3-4 functions at once. This ensure more speed in loading or unloading operations with high precision.

Graphic remote control



Top visualization on 3" graphic display on the remote transmitter. Improved crane data visualization and crane control. Top level class of offer in the range.

PPB - Proportional Power Boost



PPB system can reach longer outreach with very heavy load, with the highest precision.

F.Lli Ferrari Power Boost enables the crane to reach further and lift more. This is accomplished by reducing the oil flow through a flow divider and increasing the maximum available pressure.

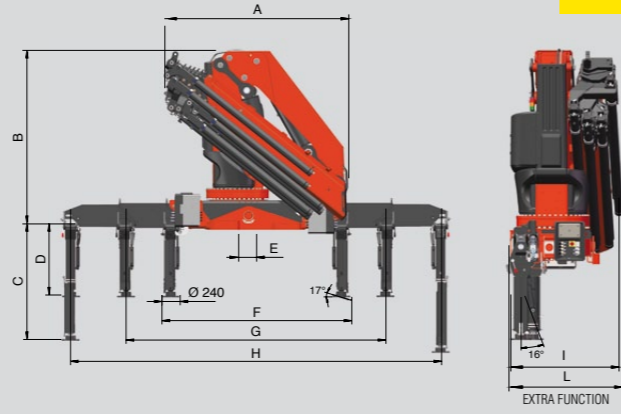
In high load conditions, this gives the operator more control and lift capacity.

PPB engages and disengages automatically, so there is no reduction in speed during light/medium crane loading.

9405C Technical data

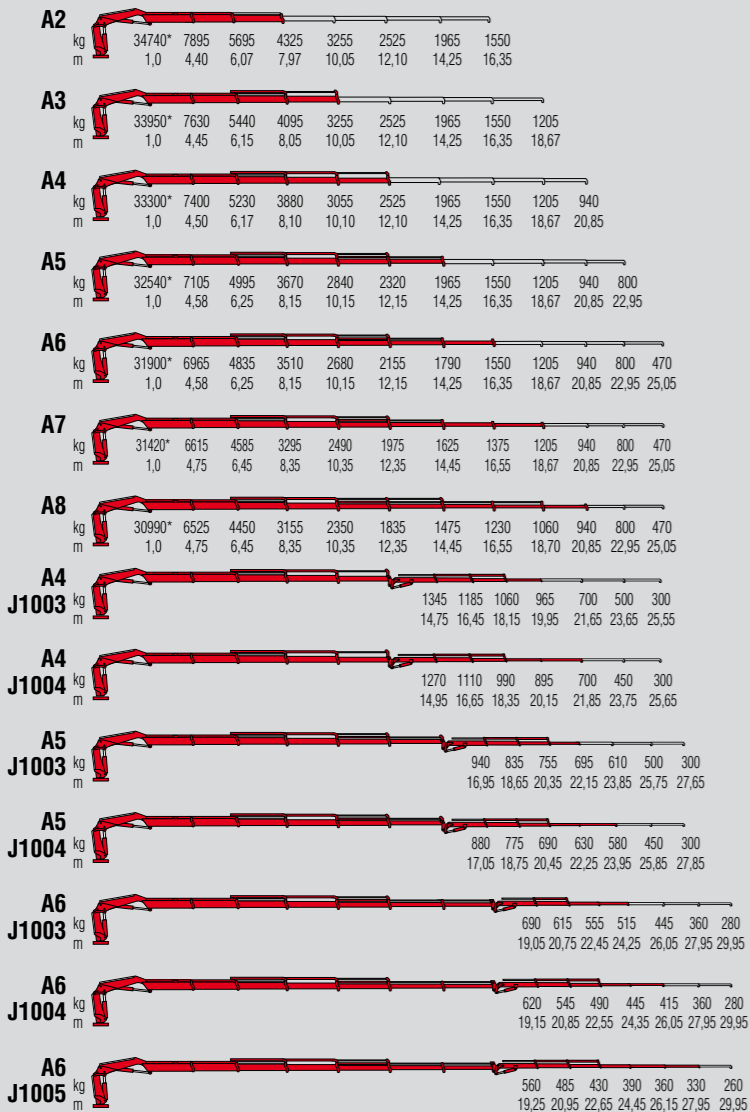
METRIC

	Lifting Moment	Swiveling Angle	Working pressure	Oil tank capacity	Max Oil flow	Max lifting height	Standard crane weight
	tm	°	bar	l	l/min	m	kg
A2	37,7	Endless	325	230	100	12,0	4100
A3	36,4	Endless	325	230	100	14,0	4330
A4	35,6	Endless	325	230	100	16,0	4550
A5	34,9	Endless	325	230	100	18,0	4760
A6	34,2	Endless	325	230	100	20,0	4950
A7	33,7	Endless	325	230	100	22,6	5130
A8	33,1	Endless	325	230	100	24,8	5300
A4J1003	21,6	Endless	325	230	100	24,3	5170
A4J1004	20,9	Endless	325	230	100	26,1	5240
A5J1003	17,9	Endless	325	230	100	26,4	5380
A5J1004	16,8	Endless	325	230	100	28,2	5450
A6J1003	15,1	Endless	325	230	100	28,5	5570
A6J1004	13,8	Endless	325	230	100	30,4	5640
A6J1005	12,9	Endless	325	230	100	32,3	5700



	A2	A3	A4	A5	A6	A7	A8
A	2160	2275	2375	2470	2510	2510	2510
B	2465	2465	2465	2465	2465	2465	2465
C	1481	1481	1481	1481	1481	1481	1481
D	895	895	895	895	895	895	895
E	249	249	249	249	249	249	249
F	2500	2500	2500	2500	2500	2500	2500
G	6000	6000	6000	6000	6000	6000	6000
H	7800	7800	7800	7800	7800	7800	7800
I	1210	1240	1240	1240	1240	1345	1345
L	-	-	-	-	-	1390	390

	A4J1003	A4J1004	A5J1003	A5J1004	A6J1003	A6J1004	A6J1005
A	2500	2500	2500	2500	2510	2510	2510
B	2760	2760	2760	2760	2760	2760	2760
C	1481	1481	1481	1481	1481	1481	1481
D	895	895	895	895	895	895	895
E	249	249	249	249	100	100	100
F	2500	2500	2500	2500	2500	2500	2500
G	6000	6000	6000	6000	6000	6000	6000
H	7800	7800	7800	7800	7800	7800	7800
I	-	-	-	-	-	-	-
L	1330	1330	1330	1330	1330	1330	1330

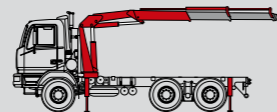


*) Theoretical lifting capacity

Standard



- Designed in accordance with EN12999+EN13849
- Design class: HC1-HD4
- Multifunctional radio remote control
- Sauer Danfoss PVG32 (CE)
- Hydrocontrol HCD4 (NO CE)
- Load limit device
- Flanged valves
- Internal stabilizer pipes
- Hydraulically extendable stabilizers
- Fixed stabilizer cylinders
- Swivel stabilizer foot
- Centralized greasing system
- EQS Extension Quick System
- SDV Smooth Descent Valve
- Red Power
- P Class - Crane Control System (CE)
- Smart Top monitor 7" - Human Machine Interface (CE)

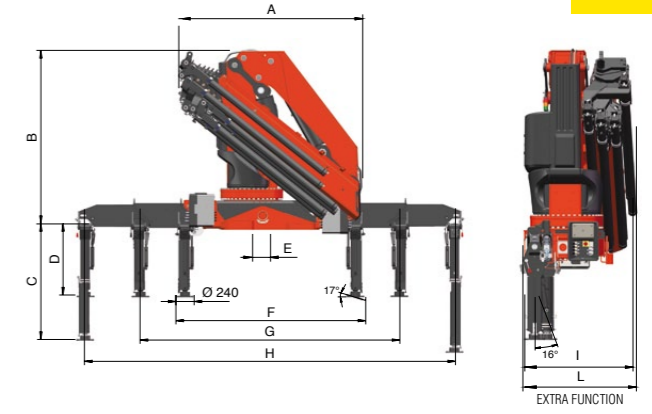


Recommended truck M.T.T. ton 26

9405C Technical data

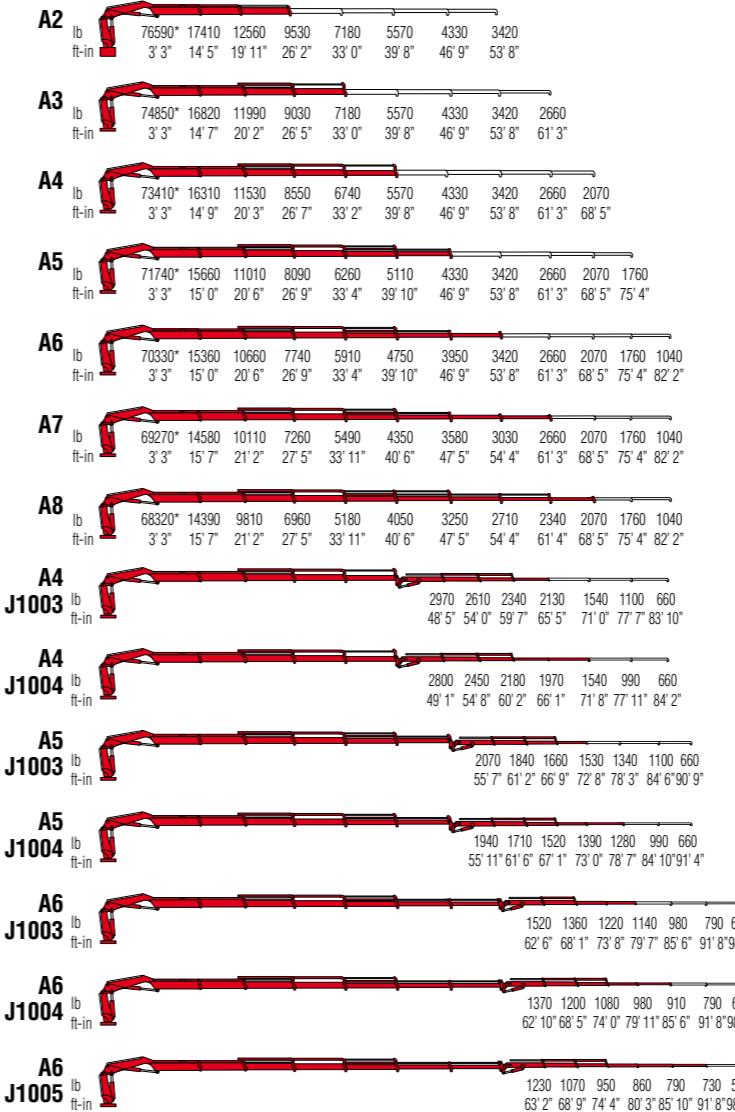
IMPERIAL

	Lifting Moment	Swiveling Angle	Working pressure	Oil tank capacity	Max Oil flow	Max lifting height	Standard crane weight
	lb ft	°	psi	gal	gal/min	ft in	lb
A2	272700	Endless	4710	60,8	26,4	39'4"	9040
A3	263300	Endless	4710	60,8	26,4	45'11"	9545
A4	263300	Endless	4710	60,8	26,4	52'6"	10030
A5	252400	Endless	4710	60,8	26,4	59'1"	10495
A6	257500	Endless	4710	60,8	26,4	65'7"	10915
A7	243700	Endless	4710	60,8	26,4	74'2"	11310
A8	252400	Endless	4710	60,8	26,4	81'4"	11685
A4J1003	156200	Endless	4710	60,8	26,4	79'9"	11400
A4J1004	247400	Endless	4710	60,8	26,4	85'8"	11550
A5J1003	243700	Endless	4710	60,8	26,4	86'7"	11860
A5J1004	239400	Endless	4710	60,8	26,4	92'6"	12015
A6J1003	109200	Endless	4710	60,8	26,4	93'6"	12280
A6J1004	99800	Endless	4710	60,8	26,4	99'9"	12435
A6J1005	93300	Endless	4710	60,8	26,4	106'0"	12565



	A2	A3	A4	A5	A6	A7	A8
A	86	90	94	98	99	99	99
B	98	98	98	98	98	98	98
C	59	59	59	59	59	59	59
D	36	36	36	36	36	36	36
E	10	10	10	10	10	10	10
F	99	99	99	99	99	99	99
G	237	237	237	237	237	237	237
H	308	308	308	308	308	308	308
I	48	49	49	49	49	53	53
L	-	-	-	-	-	55	55

	A4J1003	A4J1004	A5J1003	A5J1004	A6J1003	A6J1004	A6J1005
A	99	99	99	99	99	99	99
B	109	109	109	109	109	109	109
C	59	59	59	59	59	59	59
D	36	36	36	36	36	36	36
E	10	10	10	10	4	4	4
F	99	99	99	99	99	99	99
G	237	237	237	237	237	237	237
H	308	308	308	308	308	308	308
I	-	-	-	-	-	-	-
L	53	53	53	53	53	53	53



*) Theoretical lifting capacity

Standard



- Designed in accordance with EN12999+EN13849
- Design class: HC1-HD4
- Multifunctional radio remote control
- Sauer Danfoss PVG32 (CE)
- Hydrocontrol HCD4 (NO CE)
- Load limit device
- Flanged valves
- Internal stabilizer pipes
- Hydraulically extendable stabilizers
- Fixed stabilizer cylinders
- Swivel stabilizer foot
- Centralized greasing system
- EQS Extension Quick System
- SDV Smooth Descent Valve
- Red Power
- P Class - Crane Control System (CE)
- Smart Top monitor 7" - Human Machine Interface (CE)

9405C

NEW AGE



ISO 9001 · ISO 14001

Quality and environmental certified



F.lli FERRARI

Via Einstein, 8
42028 Poviglio (RE) Italy
Tel. +39 0522/486308
Fax +39 0522/486330
info@flliferrari.it
marketing@flliferrari.it
www.flliferrari.com

Dealer

Data, descriptions, and illustrations pertain only and uniquely to models sold at the time of printing of this brochure. After the date of printing this information is purely indicative and not binding upon F.lli Ferrari. Future modifications are solely at the discretion of F.lli Ferrari and are always in compliance with applicable and pertinent safety standards. To obtain updated data, descriptions, and illustrations, contact the manufacturer or your reseller. Cranes manufactured and/or marketed by F.lli Ferrari.